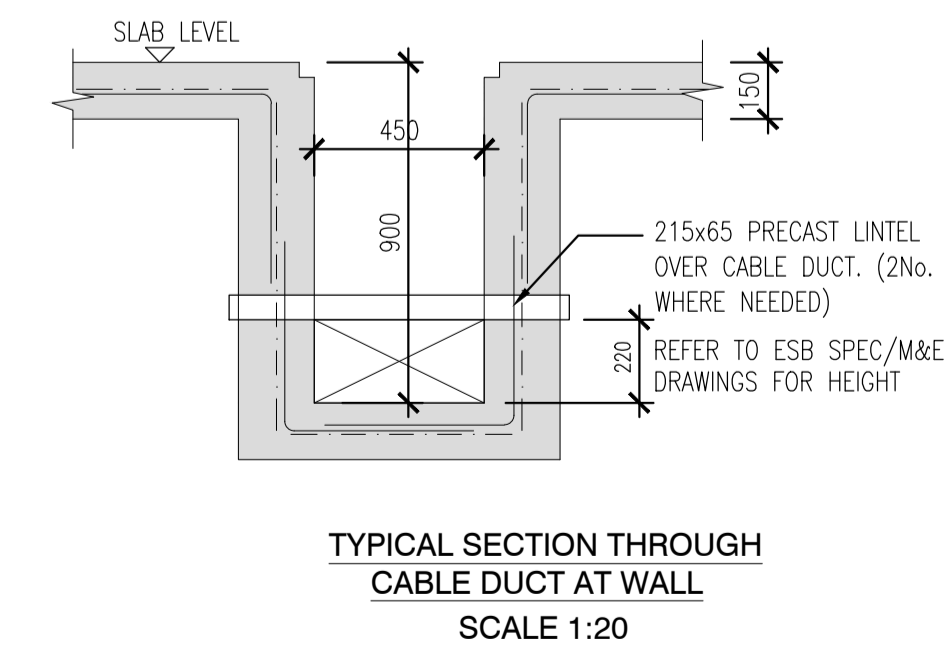
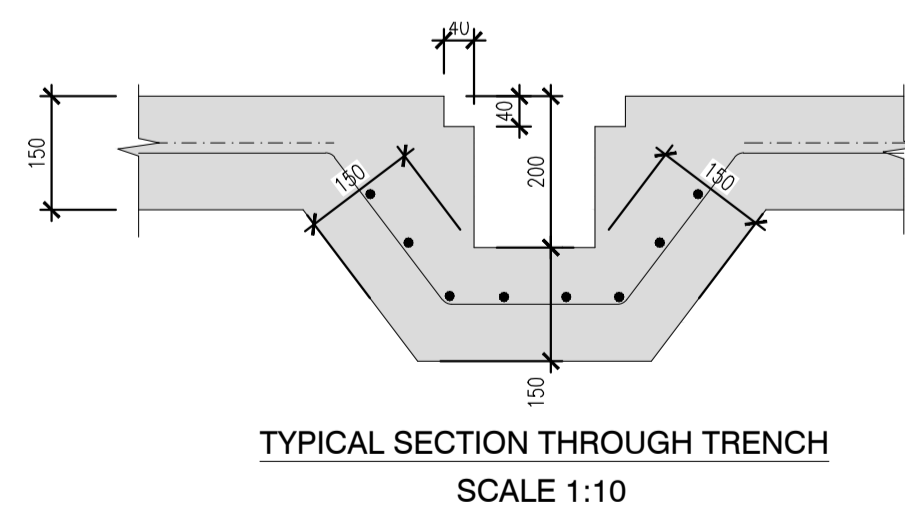


SECTION B - CROSS SECTION SCALE 1:20



DETAIL A - THROUGH EAVES SCALE 1:5

NOTES:

DO NOT SCALE FROM DRAWINGS. WORK TO FIGURED DIMENSIONS ONLY. ARCHITECT TO BE NOTIFIED OF ALL DISCREPANCIES.

**SHD STAGE 3**

| REVISIONS |             |     |
|-----------|-------------|-----|
| DATE      | DESCRIPTION | No. |
|           |             |     |
|           |             |     |
|           |             |     |



|  |                             |         |           |             |
|--|-----------------------------|---------|-----------|-------------|
| PROJECT TITLE  | WHITEHAVEN SHD              | DATE    | Feb '22   | PM          |
| DRAWING TITLE  | ESB SUBSTATION              | SCALE   | Varies@A1 | REVISION    |
|  | Plans, Elevations & Details |         |           |             |
| <small>Albert Place West, Harcourt Lane, Dublin 2, Ireland<br/>Tel: 01-4789700 Fax: 01-4789711 Email: enq@mccorm.com</small> |                             | JOB NO. | 14030.9   | DRAWING NO. |
|  |                             |         |           | PL600       |